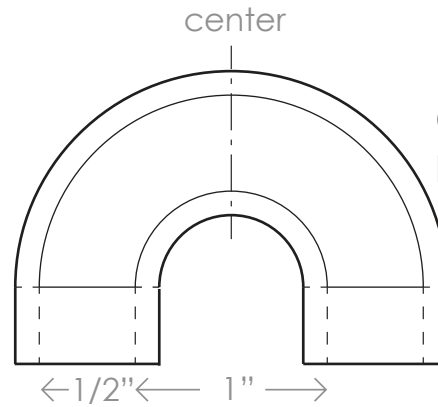


# TIE HEM GIRL SHORTS

Variation - shorts sewing pattern

Tutorial @ <http://www.craftpassion.com/?p=12885>



**CURVE NOTCH**  
Left / Right - 1 each

