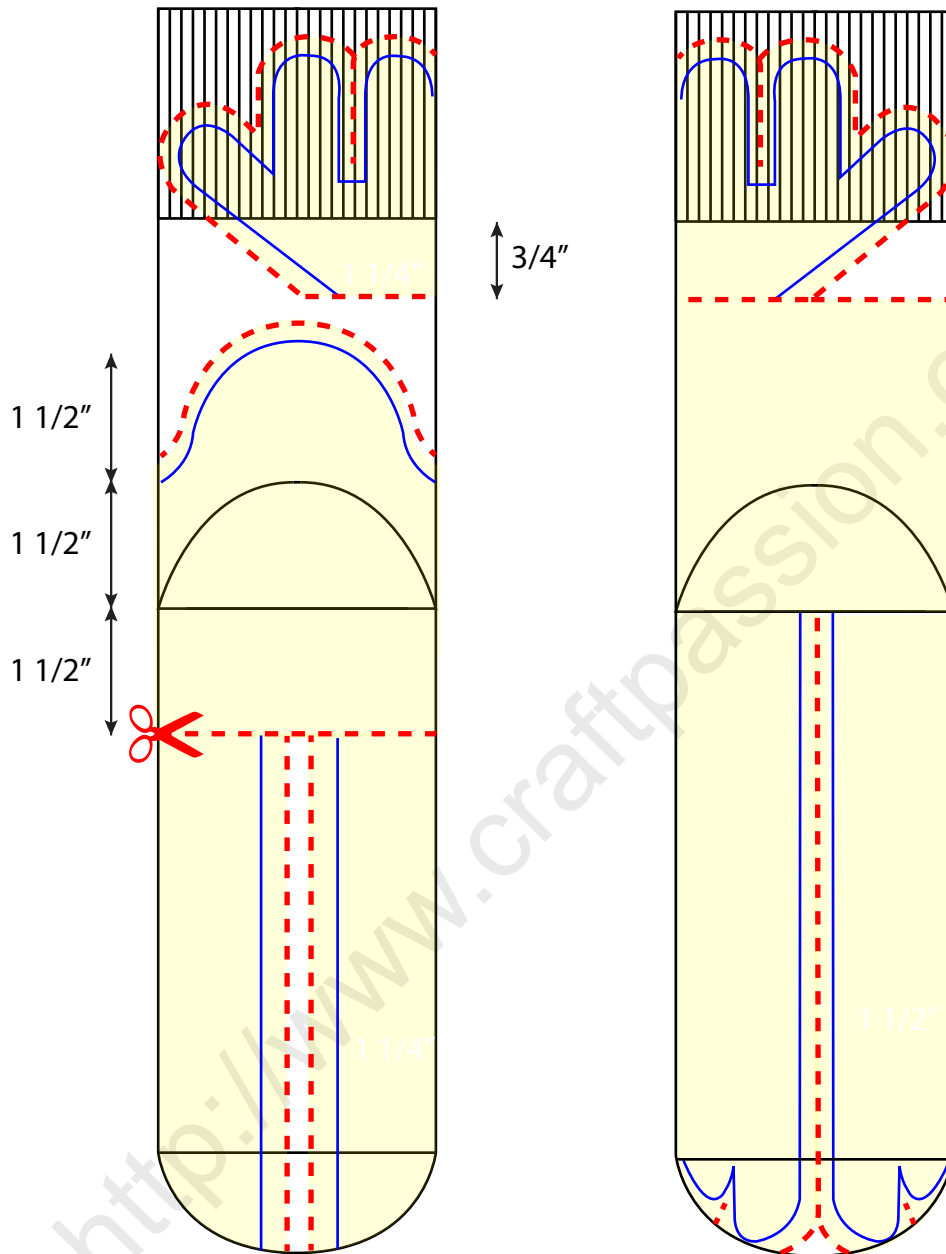


Sock Ninja Turtle Pattern Template

<http://craftpassion.com/?p=31780>



This is a reference template for you to draw on your sock.
You might need to do some adjustment for the measurement if your socks is too small

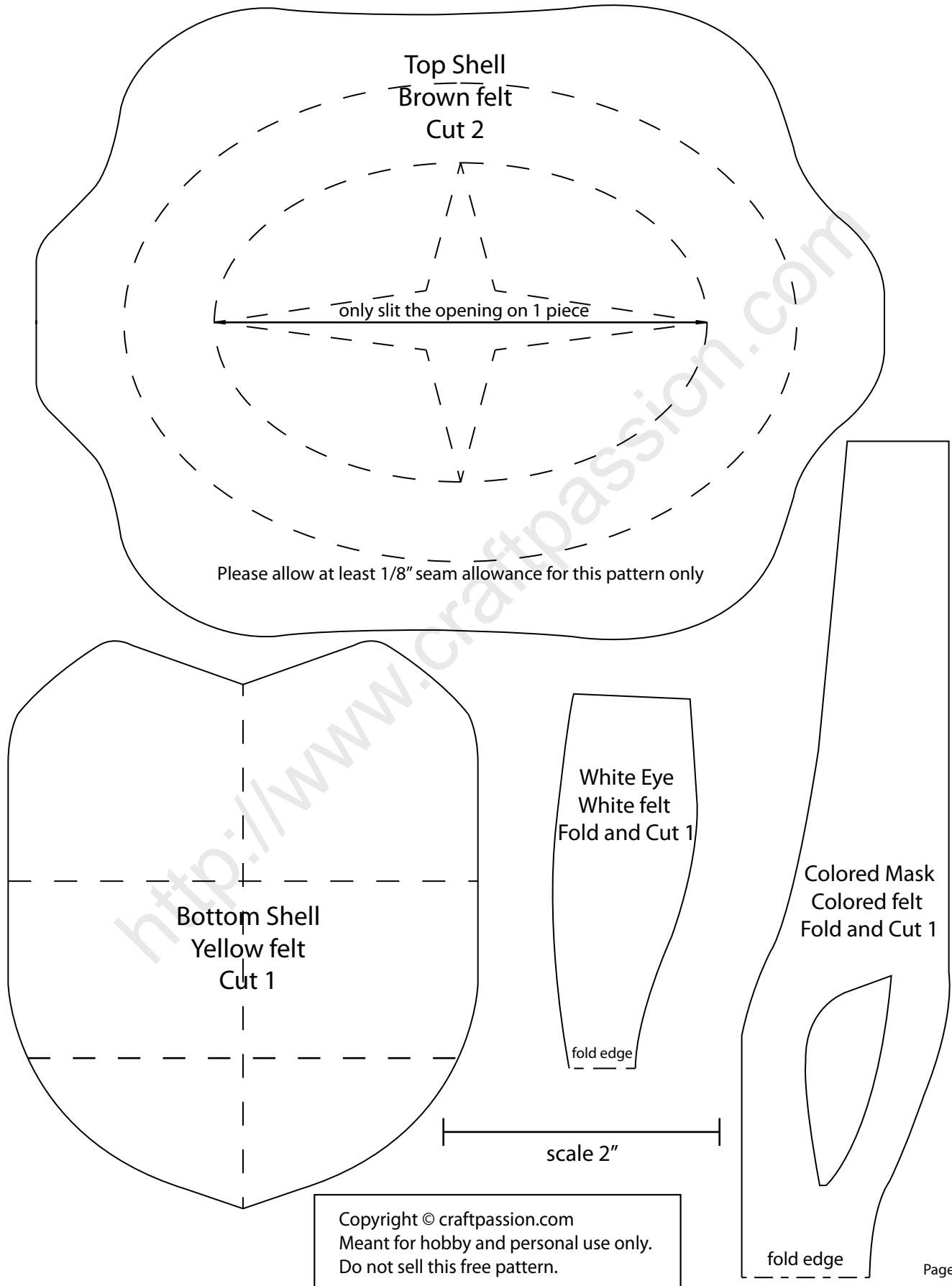
- cutting line
- stitching line

Note: Please allow at least 1/4" seam allowance for all patterns in this page

Copyright © craftpassion.com
Meant for hobby and personal use only.
Do not sell this free pattern.

Sock Ninja Turtle Pattern Template

<http://craftpassion.com/?p=31780>



Copyright © craftpassion.com
Meant for hobby and personal use only.
Do not sell this free pattern.