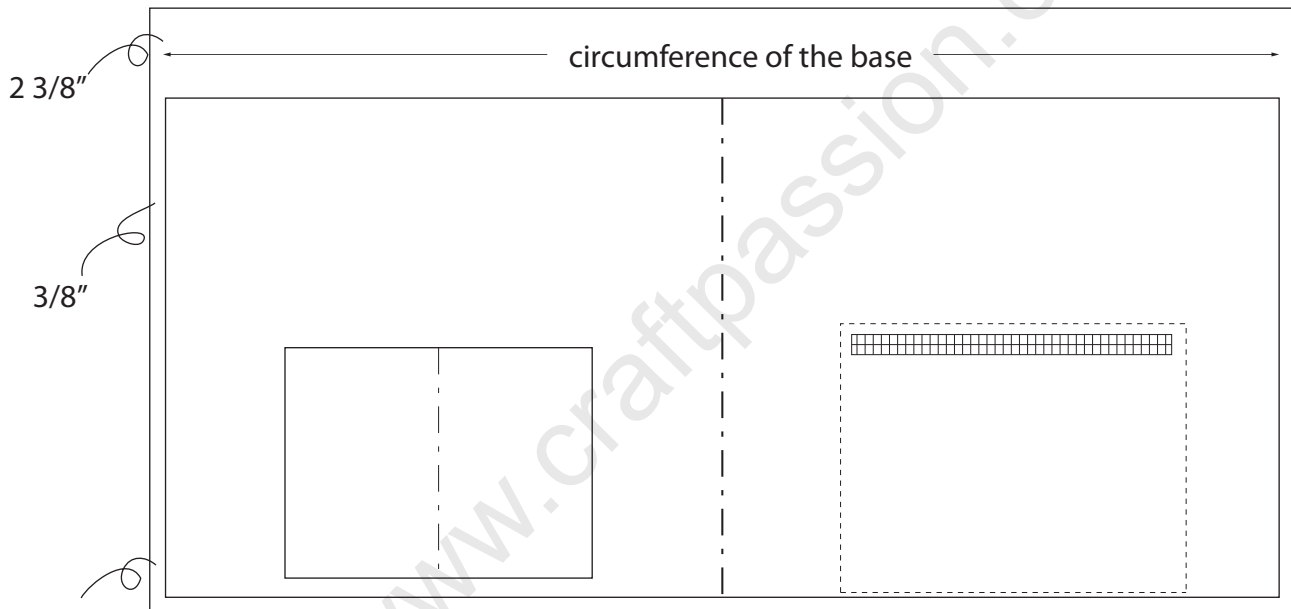
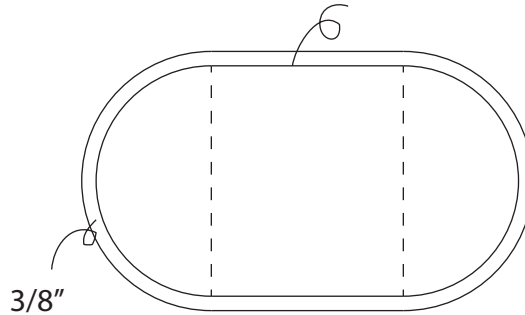


Crochet Tote Bag With Raffia Yarn

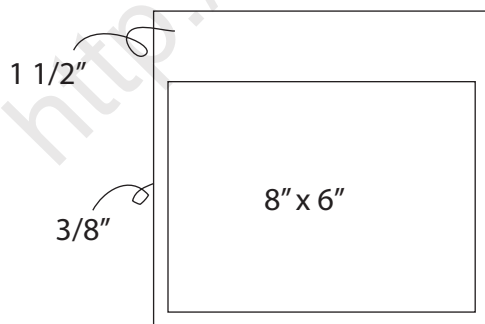
<http://www.craftpassion.com/?p=38682>

Trace base pattern from the actual crochet base, deduct 1/4" from the outline

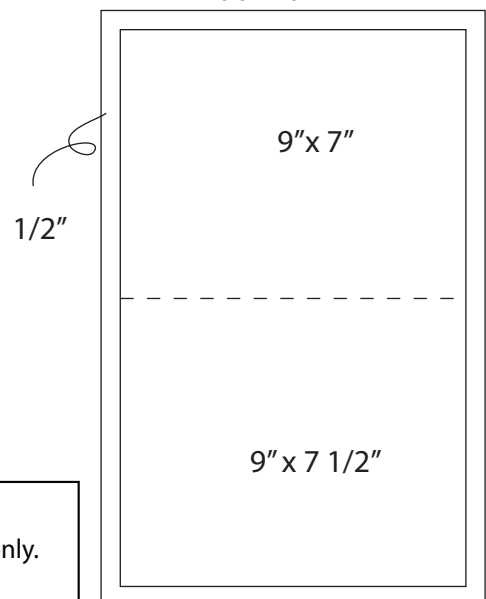


measure height of the actual tote, deduct 1/2"

open pocket



zipper pocket



Copyright © craftpassion.com
Meant for hobby and personal use only.
Do not sell this free pattern.